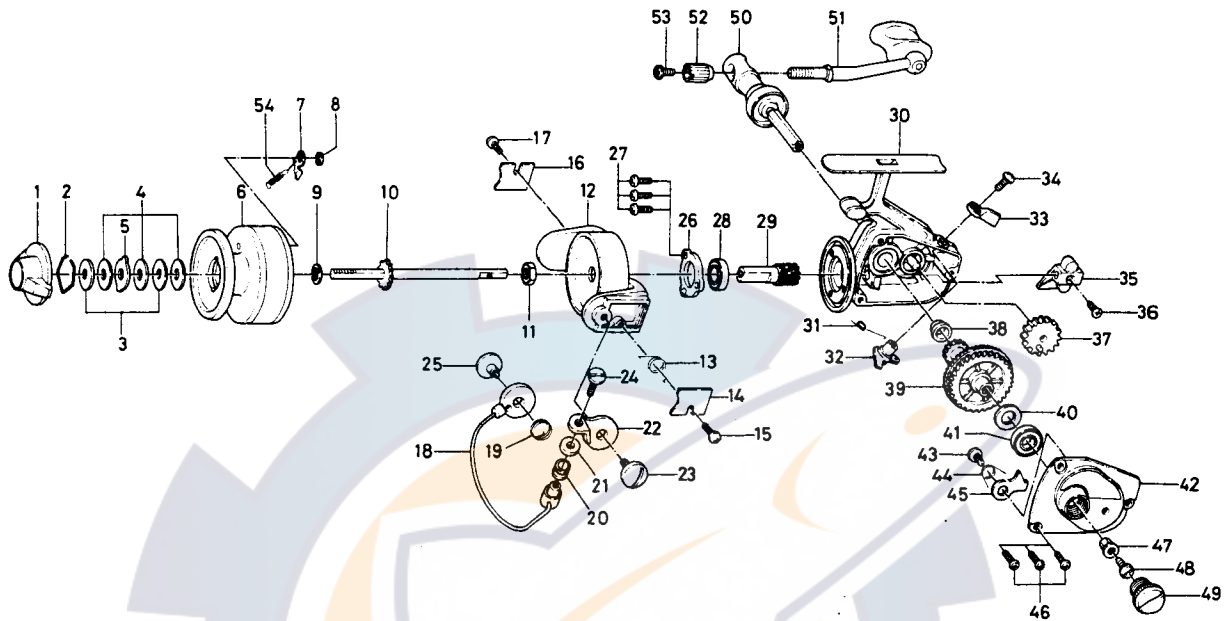


SPINNING REEL **1000C**



KEY NO. 50 ~ 53
6747-6901

HANDLE ASSEMBLY

KEY NO. 2 ~ 8 & 54
6B26-0401

SPOOL ASSEMBLY

Key No.	Parts No.	Parts Name	Key No.	Parts No.	Parts Name
1	6740-2304	Drag knob	28	6637-5701	Ball bearing
2	6170-7701	Drag washer retainer	29	6402-2201	Pinion gear
3	6374-9802	Drag D washer	30	6700-4715	Body
4	6374-3602	Disc washer	31	6142-2801	Anti-reverse cam spring
5	6374-3802	Drag A washer	32	6460-6821	Anti-reverse cam
6	6B17-9401	Spool	33	6541-3132	Anti-reverse lever
7	6B07-5302	Spool click claw	34	6351-4701	Anti-reverse lever screw
8	6320-5901	Spool click claw retainer	35	6481-0521	Oscillating slider
9	6372-3501	Spool washer	36	6351-0311	Oscillating slider screw
10	6710-7801	Main shaft	37	6413-0221	Oscillating gear
11	6341-9201	Rotor nut	38	6636-4101	Bearing metal A
12	6735-4402	Rotor	39	6413-0221	Drive gear
13	6143-9401	Bail spring	40	6370-5100	Drive gear washer
14	6040-5001	Bail spring cover	41	6636-4401	Bearing metal B
15	6351-1801	Bail spring cover screw	42	6705-7705	Body cover
16	6040-5001	Bail spring cover	43	6351-7701	Anti-reverse claw screw
17	6351-1801	Bail spring cover screw	44	6143-9601	Anti-reverse claw spring
18	6725-4711	Bail	45	6111-3411	Anti-reverse claw
19	6143-9521	Arm lever spring	46	6351-1001	Body cover screw
20	6250-3921	Line roller	47	6501-8501	Handle screw holder
21	6501-1401	Roller collar	48	6363-8511	Handle screw
22	6231-1501	Arm lever	49	6363-6001	Handle screw cap
23	6363-2201	Arm lever screw	50	6071-2901	Handle stand
24	6353-1811	Bail screw	51	6747-7001	Handle arm
25	6363-2201	Bail holder screw	52	6342-3012	Handle arm ret. nut
26	6634-1702	Ball bearing ret. washer	53	6353-0701	Handle arm ret. nut screw
27	6351-1001	Ball bearing ret. washer screw	54	6144-1211	Spool click claw spring